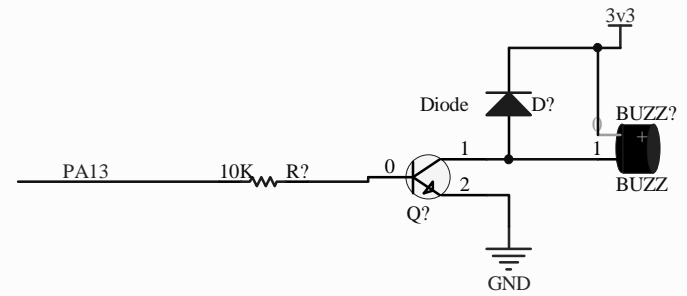
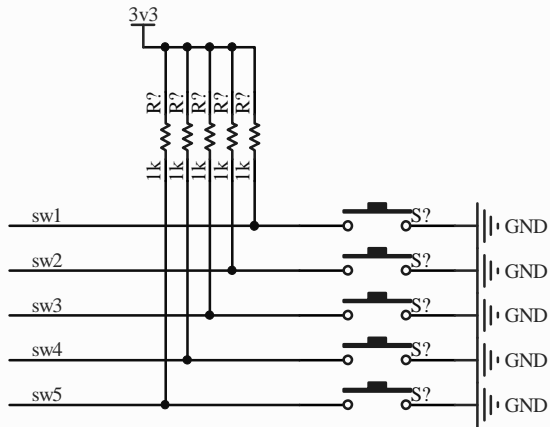


sw1	J? 1	0	PB5
sw2	J? 1	0	PB6
sw3	J? 1	0	PB7
sw4	J? 1	0	PB8
sw5	J? 1	0	PB9



transistor footprint has not been checked

